

## İMALAT TABLOSU

NO	TEZGAH ADI
01	

MODEL : NEPTUNE FİLTRE - 1600

PRODUCT CODE : 021218

FILTRATION AREA : 2,01 m<sup>2</sup>

FILTER DIAMETER : 1600 mm

VOLUME: 2600 L

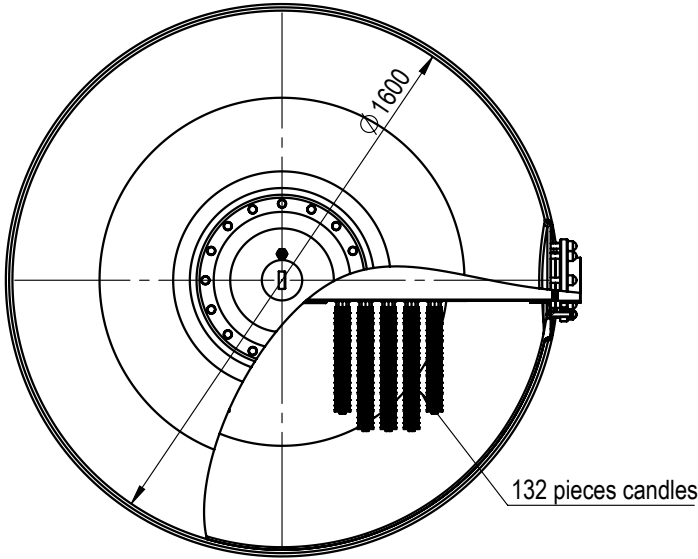
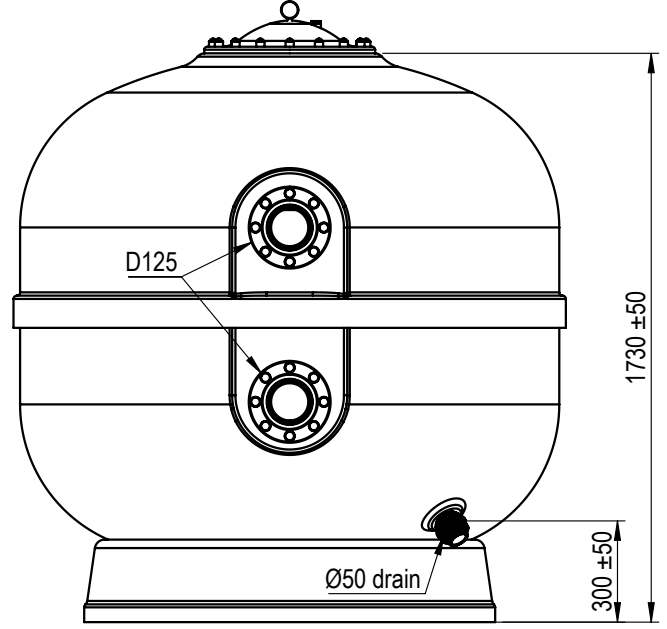
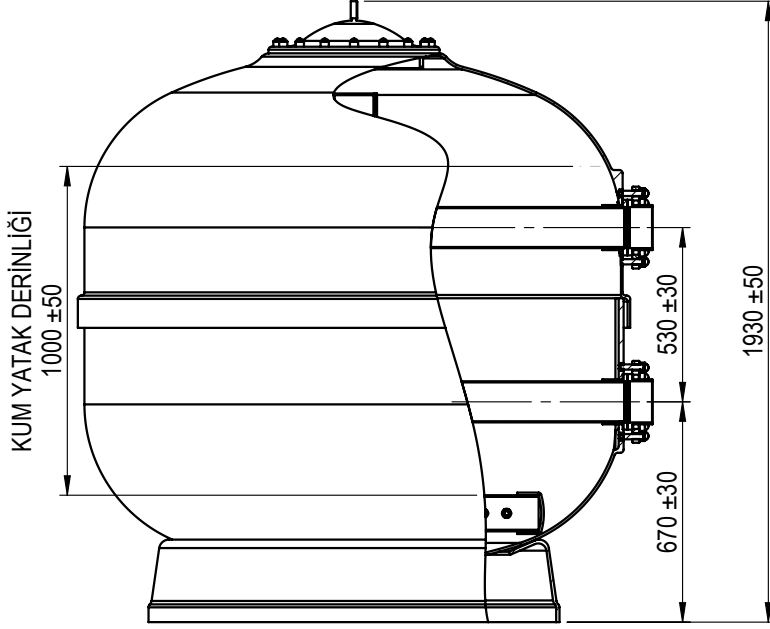
FILTRATION MEDIA : 0,4 - 0,8 mm

OPERATION PRESSURE : 2,5 kg/cm<sup>2</sup>TEST PRESSURE : 3,5 kg/cm<sup>2</sup>FLOW RATE: 101 m<sup>3</sup>/hFILTRATION RATE : 50 m<sup>3</sup>/h/m<sup>2</sup>

PRODUCT YEAR : 2023

CUSTOMER NAME :

SİPARİŞ NUMARASI :



Ölçüler "mm" cinsindedir.

RESİM ÜZERİNDEN ÖLÇÜ ALINMAZ.  
DO NOT TAKE THE MEASUREMENT ON THE DRAWING

Rev. No / Rev. No	Rev. Tarihi / Rev. Date	Revizyon Notu / Revision Note	Rev.Ad-Soyad / Rev.Name-Surname	İmza / Signature
Revizyon / Revision	Tarihi / Date	Ad-Soyad / Name-Surname	İmza / Signature	Ağırlık (gr) / Weight (gr)
Çizen / Designed By	01.01.2024	MELTEM KILIÇ		
Kontrol / Checked By		İBRAHİM KAYA		Stok Kodu / Stock.No
Onay / Aproved By		İBRAHİM KAYA		021218
Ölçek / Scale 1:1	Parça Adı / Part Name		Form / Form	Malzeme / Metarial
	Ø1600 Neptune Umumi Havuz Kum Filtresi		A4	

